



Client _____ Quantity _____

Project _____ Position _____

FUN 700

Model: F70/70CFE

Cod: MP01032123000

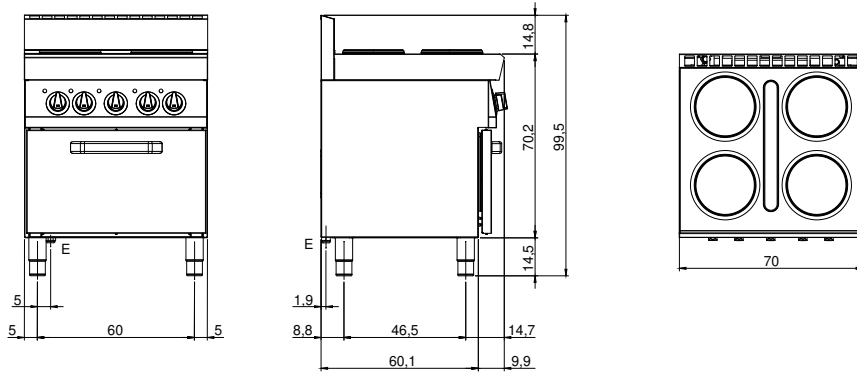
Technical data

Modularity:	Electric oven
Dimension (mm):	700x700x850
Oven dimension (mm):	565x330x325
Total electric power (kW):	14,36
Oven type:	Electric convection oven
Oven power (kW):	3,96
Oven temperature range (°C):	50-300
Electric power (V):	380-415
Ampere (A):	29,5
Phases:	3N
Cable section (mmq):	5G6
Frequency (Hz):	50
Net volume (m3):	0,417
Packing dimensions (mm):	776x776x1180
Gross weight (kg):	87
Gross volume (m3):	0,711

Features

Working top:	Made of AISI 304 stainless steel with a thickness of 10/10 mm
Knobs:	Knobs are made from a sturdy heat-resistant polymer blend and are equipped with liquid anti-leakage washer

Technical draw



E: Electric power